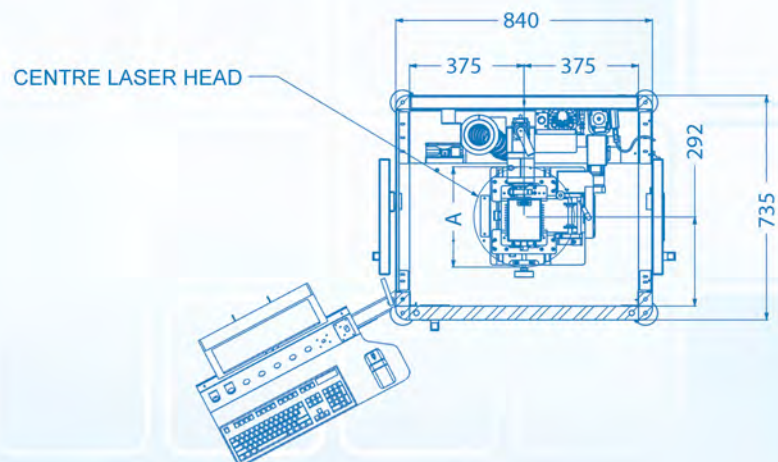
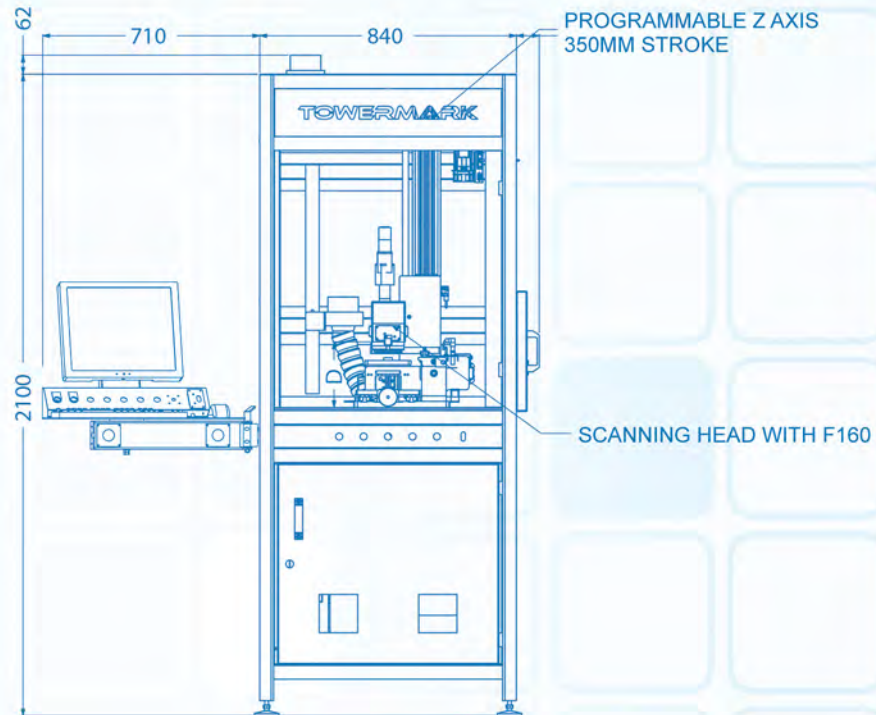


TowerMark



The TowerMark is an extremely versatile marking system and can be used both manually and in combination with a **robot for loading/unloading**. All components are housed inside the cabinet below which is part of the main structure. The system can be moved easily with a **pallet jack** or is also available with wheels. The door can be both manual and pneumatic. The large viewing glass and interior lighting system provide a clear view of the objects to be engraved and simplify their positioning. The working area is 620x450mm and the marking area ranges from 100mm up to $\varnothing 310$ mm depending on the choice of lens (100mm, 160mm, 254mm, 320mm, 420mm). The Z axis, operated by the **FlyCAD marking software provides** for marking of various thicknesses from 0 to 450 mm. The motors with **encoder feedback** can also be controlled via the Joystick and the **SmartFocus** providing instantaneous focus. With these features the operator can easily **find the correct position** and focus on all flat, cylindrical and complex geometries with curves and special angles. Another optional feature is a special pull out drawer to speed up the loading and the unloading of the pieces to be engraved. Other special options include a rotary axis (rotary indexer, 5 collet, through hole rotary) providing another axis for the **continuous marking** of cylindrical parts, a rotating scan head for the marking of cylindrical and angled parts up to 90 degrees, and a table with a 300 mm stroke to increase the working area.

Layout



Technical Specifications

Working position	Stand up
Working plane dimensions	620 x 450
Max weight on the plane	100Kg
Markable max height (ø 140mm)	450mm
Available marking areas	ø100, ø140, ø220, ø310
Options which can be installed	C axis, rotating head, X table, metal sheet tightener
Type of laser	FiberFly, FlyAIR, FlyGreen, CO ₂
Vision system	Optional both TTL and Reflex
Type of engine	Up to 4 motors with encoder
Joystick	Option
Type of door	Manual or pneumatic
Exhaust fan and filter	Integrated into the base - optional
Pc and monitor	Integrated into the base and monitor holder
DMX player	Optional
Weight	300 Kg
Power supply	110 - 230 Vac - 50Hz

